

CBB60 金属化聚丙烯膜交流电机启动电容器

Metalized polypropylene film AC motor capacitor

特点与用途 FEATURES & APPLICATION

- 金属化聚丙烯膜，自愈特性
- 优良的阻燃性能 (UL94-v0)
- 适用于50/60HZ单项交流电机启动和运转
- Metallized polypropylene film, self-healing property.
- Excellent flame resistance (UL94-v0).
- Widely applied to starting and running of AC single phase motor at 50/60Hz.

认证 CERTIFICATION



技术参数 TECHNICAL PARAMETER

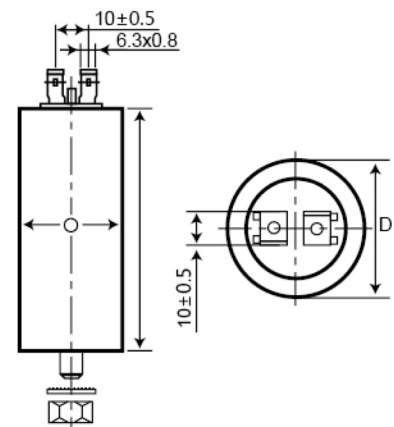
产品类别 Products Category	CBB60	
引用标准 Reference Standard	GB/T3667 (IEC 60252-2)	
气候类型 Climatic Category	40/85/21 50/60HZ	
额定电压 Rated Voltage	250~500VAC (50/60HZ)	
容量范围 Capacitance range	1μF~85μF	
容量偏差 Capacitance Tolerance	±5% (J), ±10%(K)	
耐电压 Voltage Proof	极间耐压 Between Terminals	2Un (2~5S)
	极壳耐压 Between Terminals To Case	2000VAC (60S)
绝缘电阻 Insulation Resistance	≥5000s /C (20°C,60S at 250VDC)	
损耗角正切 Dissipation factor	Cr < 10uF : DF ≤0.4 % (100HZ 20±5°C)	
	Cr ≥ 10uF : DF ≤0.5 % (100HZ 20±5°C)	
最高运行电压 max permissible voltage	1.15Un	
最大运行电流 max permissible current	1.25In	

Environmental Test Data

Test	IEC Publication	Procedure
Vibration	IEC 60068-2-6 Test FC	3 directions at 2 hours each 10-500HZ at 0.75 mm
Endurance	IEC 60252-2	1.25*Un 50HZ ,once every hour increase to 1000VAC for 0.1 second , 1000 hours at 100°C±3°C
Bump	IEC 60068-2-29 Test Eb	1000 bumps at 390m/s2
Change of temperature	IEC 60068-2-14 Test Eb	+85°C and -40°C 5 cycles
Active flammability	IEC 60252-2	VR +20 surge pulses at 2.5kv (pulse every 5seconds)
Passive flammability	IEC 60252-2	IEC 60384-1, IEC 60695-11-5 needle-flame test
Damp heat steady state	IEC 60068-2-78 Test Cab	+40°C and 93% RH , 56 days



外形图 APPEARANCE



CBB61 金属化聚丙烯膜交流电机启动电容器

Metalized polypropylene film AC motor capacitor

特点与用途 FEATURES & APPLICATION

- 金属化聚丙烯膜，自愈特性
- 优良的阻燃性能 (UL94-v0)
- 适用于50/60HZ单项交流电机启动和运转
- Metallized polypropylene film, self-healing property.
- Excellent flame resistance (UL94-v0).
- Widely applied to starting and running of AC single phase motor at 50/60Hz.

认证 CERTIFICATION



技术参数 TECHNICAL PARAMETER

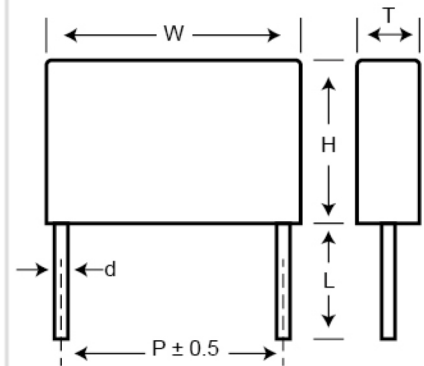
产品类别 Products Category	CBB61	
引用标准 Reference Standard	GB/T3667 (IEC 60252-1)	
气候类型 Climatic Category	40/85/21 50/60HZ	
额定电压 Rated Voltage	250VAC, 300VAC, 400VAC, 450VAC, 500VAC (50/60HZ)	
容量范围 Capacitance range	1 μ F~20 μ F	
容量偏差 Capacitance Tolerance	\pm 5% (J), \pm 10% (K)	
耐电压 Voltage Proof	极间耐压 Between Terminals	2Un (2~5S)
	极壳耐压 Between Terminals To Case	2000VAC (60S)
绝缘电阻 Insulation Resistance	\geq 3000s	(20 $^{\circ}$ C, 1min at 100VDC)
损耗角正切 Dissipation factor	Cr < 3 μ F: DF \leq 3% (1KHZ 20 \pm 5 $^{\circ}$ C)	
	Cr \geq 3 μ F: DF \leq 5% (1KHZ 20 \pm 5 $^{\circ}$ C)	
最高运行电压 max permissible voltage	1.1Un	
最大运行电流 max permissible current	1.3In	

Environmental Test Data

Test	IEC Publication	Procedure
Vibration	IEC 60252-2-6 Test FC	3 directions at 2 hours each 10-500HZ at 0.75 mm
Endurance	IEC 60252-1	1.25*Un 50HZ, once every hour increase to 1000VAC for 0.1 second, 1000 hours at 85 $^{\circ}$ C \pm 3 $^{\circ}$ C
Bump	IEC 60252-2-29 Test Eb	1000 bumps at 390m/s ²
Change of temperature	IEC 60252-2-14 Test Eb	+85 $^{\circ}$ C and -40 $^{\circ}$ C 5 cycles
Active flammability	IEC 60252-14	VR +20 surge pulses at 2.5kv (pulse every 5seconds)
Passive flammability	IEC 60252-14	IEC 60384-1, IEC 60695-11-5 needle-flame test
Damp heat steady state	IEC 60252-2-78 Test Cab	+40 $^{\circ}$ C and 93% RH, 21 days



外形图 APPEARANCE



CBB65 金属化聚丙烯膜交流电机启动电容器 (铝壳, 防爆)

Metalized polypropylene film AC motor capacitor (Aluminum-case, anti-explosion)

启动电容器

CBB65

AC motor Capacitor

特点与用途 FEATURES & APPLICATION

- 防爆设计, 过流防护, 安全可靠
- 金属化聚丙烯膜, 自愈特性
- 优良的阻燃性能 (UL94-v0)
- 适用于50/60HZ单项交流电机启动和运转
- Anti-explosion, 10KAFC.
- Metallized polypropylene film or safe film Self-healing property.
- Excellent active and passive flame resistant abilities (UL94-V0).
- Widely applied to starting and running of ac single-phase motor at 50HZ or 60HZ frequency power.

认证 CERTIFICATION



技术参数 TECHNICAL PARAMETER

产品类别 Products Category	CBB65		
引用标准 Reference Standard	GB/T3667 (IEC 60252-1)		
气候类型 Climatic Category	40/85/21 50/60HZ		
额定电压 Rated Voltage	400VAC ~650VAC (50/60HZ)		
容量范围 Capacitance range	1 μ F~90 μ F		
容量偏差 Capacitance Tolerance	\pm 5% (J), \pm 10%(K)		
耐电压 Voltage Proof	极间耐压 Between Terminals	2Un (2~5S)	
	极壳耐压 Between Terminals To Case	2000VAC (60S)	
绝缘电阻 Insulation Resistance	\geq 3000s /C (20 $^{\circ}$ C,60S at 250VDC)		
损耗角正切 Dissipation factor	Cr < 10 μ F : DF \leq 0.4 % (100HZ 20 \pm 5 $^{\circ}$ C)		
	Cr \geq 10 μ F : DF \leq 0.5 % (100HZ 20 \pm 5 $^{\circ}$ C)		
最高运行电压 max permissible voltage	1.1Un 20h/day	1.2Un 4h/day	1.3Un 2h/day
最大运行电流 max permissible current	1.25Un 20h/day	1.35Un 4h/day	1.5 Un 2h/day

Environmental Test Data

Test	IEC Publication	Procedure
Vibration	IEC 60068-2-6 Test FC	3 directions at 2 hours each 10-500HZ at 0.75 mm
Endurance	IEC 60252-2	1.25*Un 50HZ 1000 hours at 85 $^{\circ}$ C \pm 3 $^{\circ}$ C
Bump	IEC 60068-2-29 Test Eb	1000 bumps at 390m/s ²
Change of temperature	IEC 60068-2-14 Test Eb	+85 $^{\circ}$ C and -40 $^{\circ}$ C 5 cycles
Active flammability	IEC 60252-2	VR +20 surge pulses at 2.5kv (pulse every 5seconds)
Passive flammability	IEC 60252-2	IEC 60384-1, IEC 60695-11-5 needle-flame test
Damp heat steady state	IEC 60068-2-78 Test Cab	+40 $^{\circ}$ C and 93% RH, 56 days



外形图 APPEARANCE

